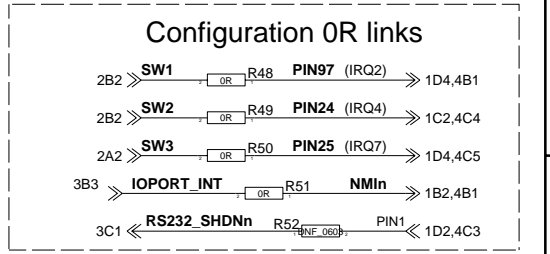
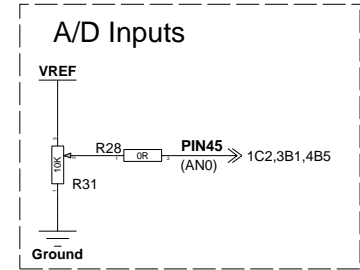
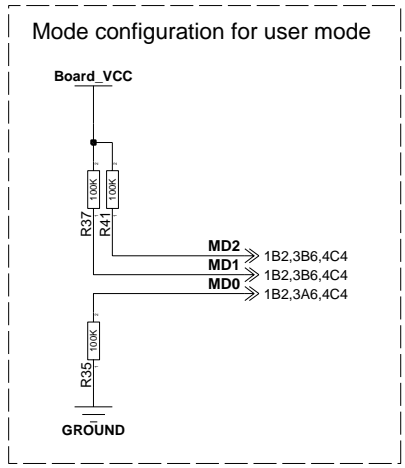
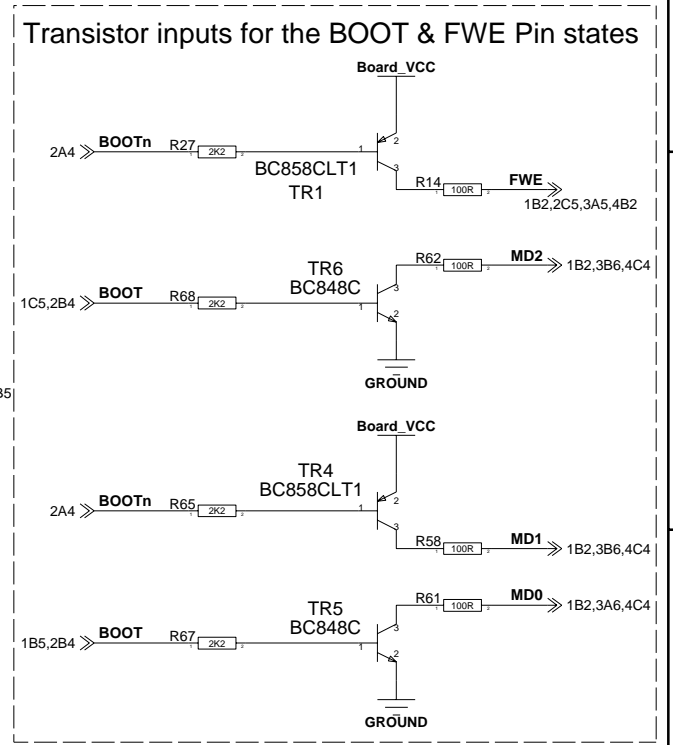
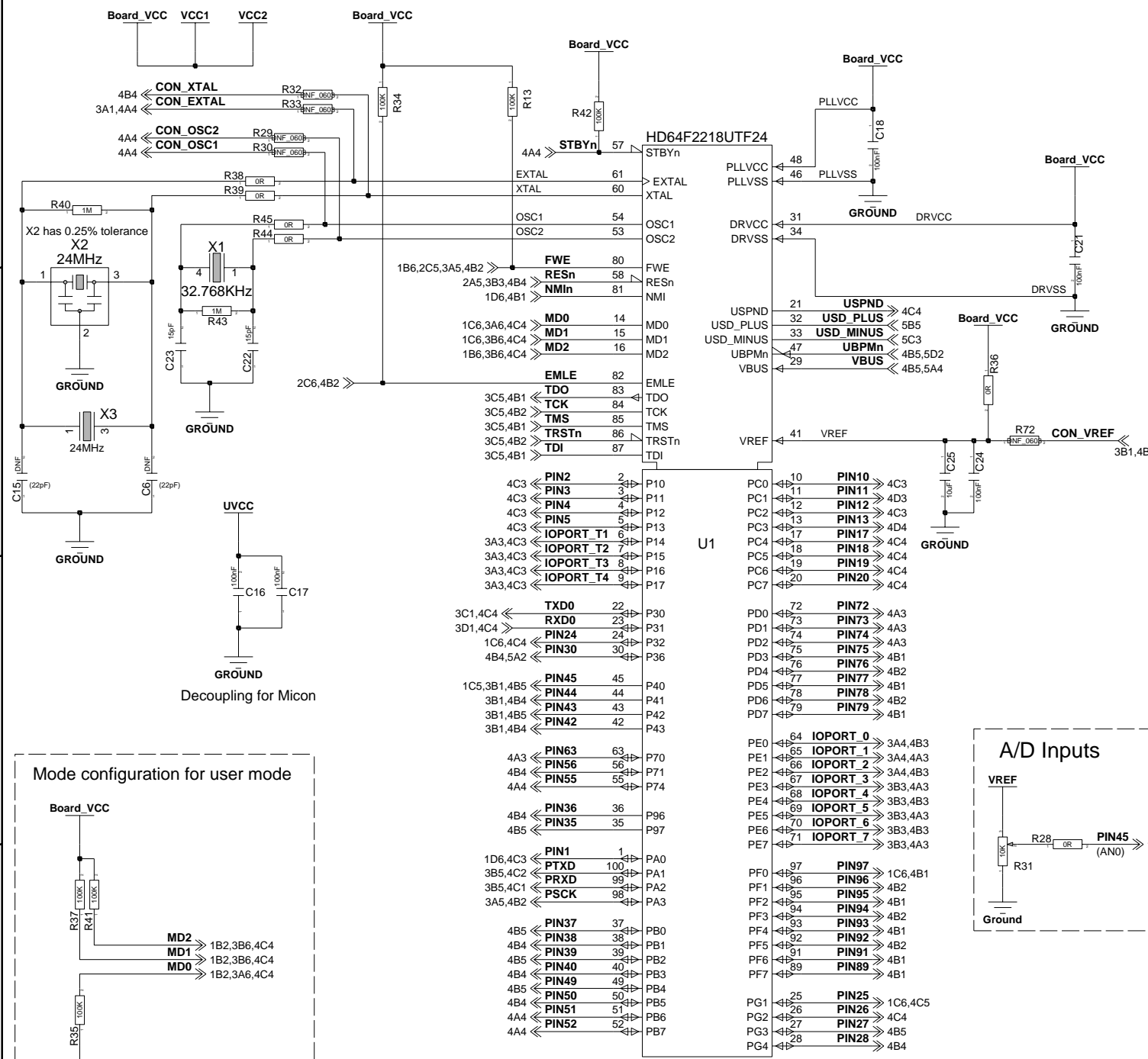


REV	REF	DATE	DRAWN BY
1	Revision 1	11-02-04	DFI
2	Revision 2	15-06-04	DFI



Pin	Function	Pin	Function
4C3	PIN2	2	P10
4C3	PIN3	3	P11
4C3	PIN4	4	P12
4C3	PIN5	5	P13
4C3	IOPORT_T1	6	P14
3A3,4C3	IOPORT_T2	7	P15
3A3,4C3	IOPORT_T3	8	P16
3A3,4C3	IOPORT_T4	9	P17
3C1,4C4	TXD0	22	P30
3D1,4C4	RXD0	23	P31
1C6,4C4	PIN24	24	P32
4B4,5A2	PIN30	30	P36
1C5,3B1,4B5	PIN45	45	P40
3B1,4B4	PIN44	44	P41
3B1,4B5	PIN43	43	P42
3B1,4B4	PIN42	42	P43
4A3	PIN63	63	P70
4B4	PIN56	56	P71
4A4	PIN55	55	P74
4B4	PIN36	36	P96
4B5	PIN35	35	P97
1D6,4C3	PIN1	1	PA0
3B5,4C2	PTXD	100	PA1
3B5,4C1	PRXD	99	PA2
3A5,4B2	PSCK	98	PA3
4B5	PIN37	37	PB0
4B4	PIN38	38	PB1
4B5	PIN39	39	PB2
4B4	PIN40	40	PB3
4B5	PIN49	49	PB4
4B4	PIN50	50	PB5
4A4	PIN51	51	PB6
4A4	PIN52	52	PB7
4C3	PIN10	4C3	PIN10
4D3	PIN11	4D3	PIN11
4C3	PIN12	4C3	PIN12
4C3	PIN13	4C3	PIN13
4D4	PIN17	4C4	PIN17
4C4	PIN18	4C4	PIN18
4C4	PIN19	4C4	PIN19
4C4	PIN20	4C4	PIN20
4A3	PIN72	4A3	PIN72
4A3	PIN73	4A3	PIN73
4A3	PIN74	4A3	PIN74
4B1	PIN75	4B1	PIN75
4B1	PIN76	4B1	PIN76
4B2	PIN77	4B2	PIN77
4B1	PIN78	4B1	PIN78
4B2	PIN79	4B1	PIN79
4B1	PIN96	1C6,4B1	PIN96
4B2	PIN95	4B2	PIN95
4B1	PIN94	4B1	PIN94
4B2	PIN93	4B2	PIN93
4B1	PIN92	4B1	PIN92
4B1	PIN91	4B1	PIN91
4B1	PIN89	4B1	PIN89
1C6,4C5	PIN25	PG1	PIN25
4C4	PIN26	PG2	PIN26
4B5	PIN27	PG3	PIN27
4B4	PIN28	PG4	PIN28

VCC=UVCC  
 Power : 62, 88  
 Ground : 59, 90

SIZE A4

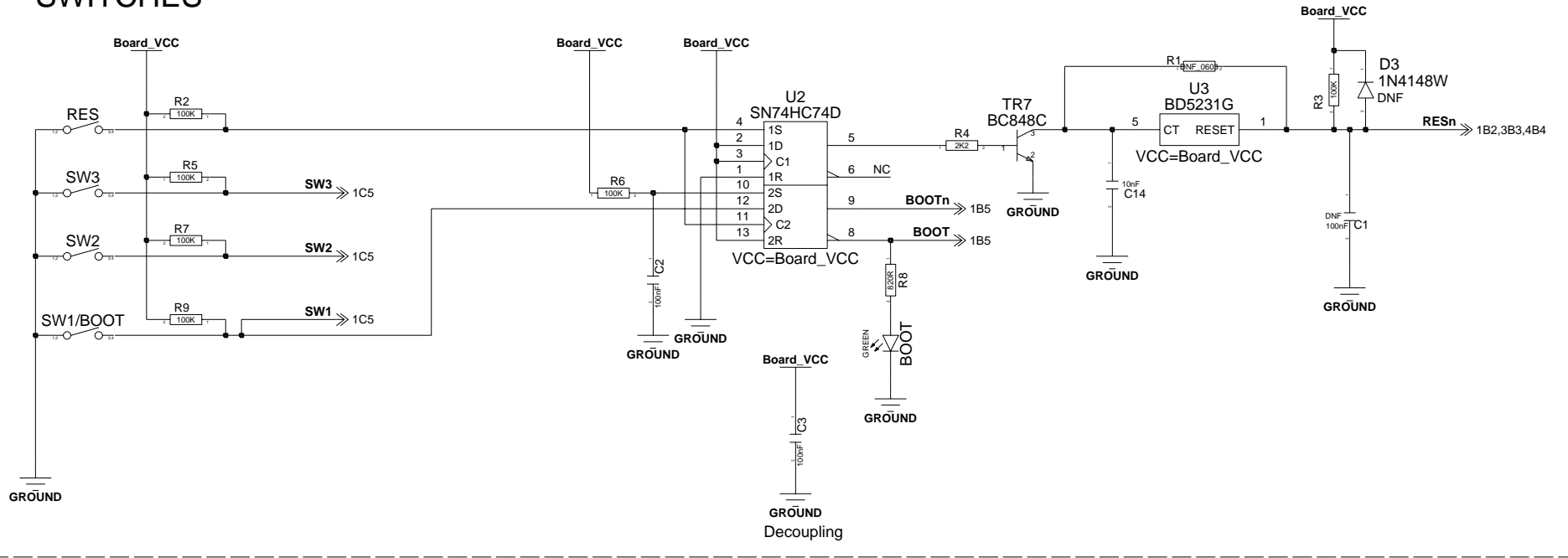
**RENESAS TECHNOLOGY EUROPE LTD**  
 Dukes Meadow, Bourne End, Buckinghamshire  
 UNITED KINGDOM

SCHEMATIC TITLE  
**3DK2218**

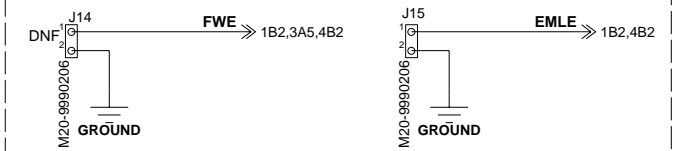
SHEET TITLE  
**Micon**

DRAWN BY D.Fife	DATE 15-06-04	REV 2	DRAWING NUMBER D005312_04	PAGE 1/5
--------------------	------------------	----------	------------------------------	-------------

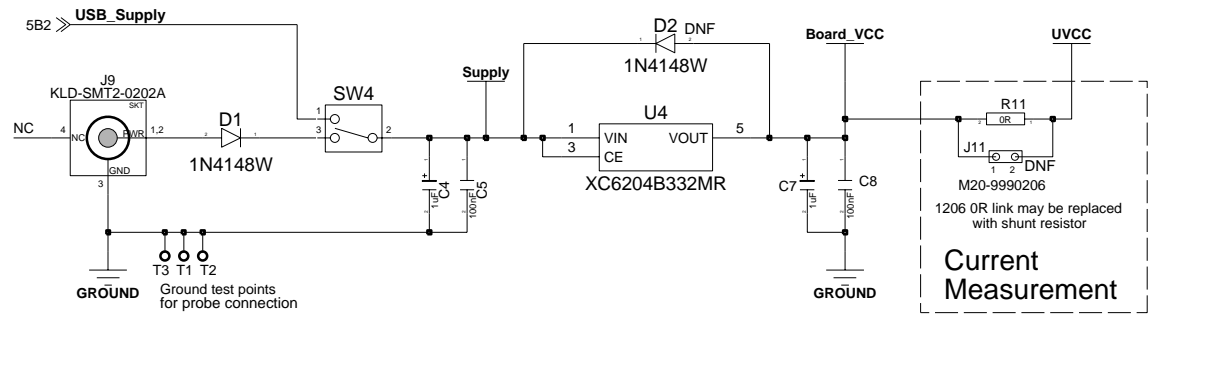
# SWITCHES



# Jumper Configuration



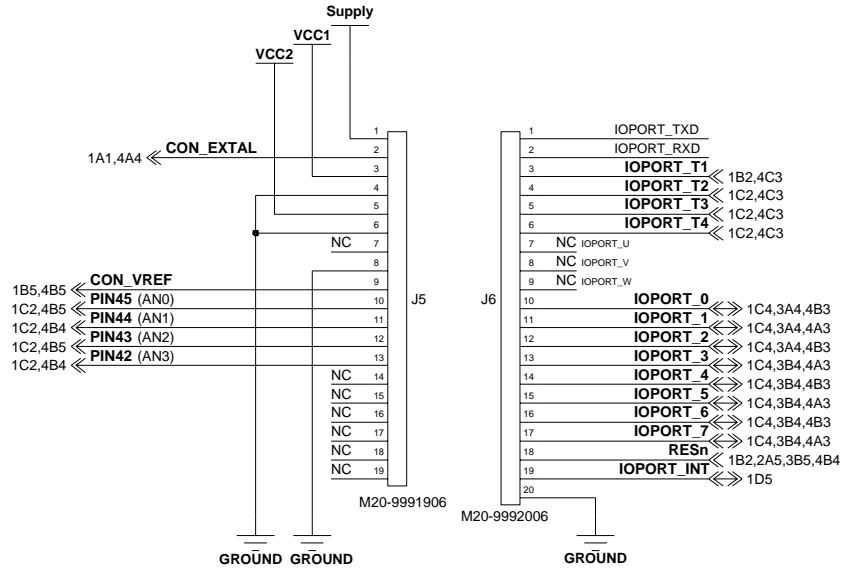
# PSU



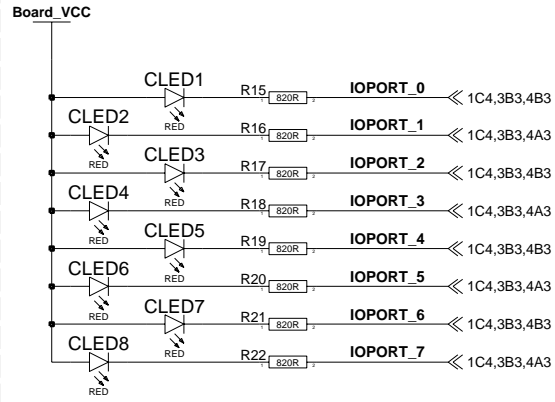
SIZE A4

<b>RENESAS TECHNOLOGY EUROPE LTD</b> Dukes Meadow, Bourne End, Buckinghamshire UNITED KINGDOM				
SCHEMATIC TITLE <b>3DK2218</b>				
SHEET TITLE <b>Switches and PSU</b>				
DRAWN BY D.Fife	DATE 15-06-04	REV 2	DRAWING NUMBER D005312_04	PAGE 2/5

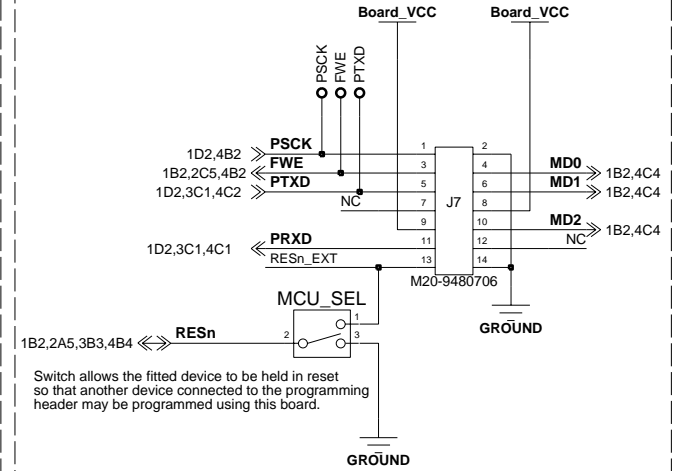
# GENERIC HEADERS



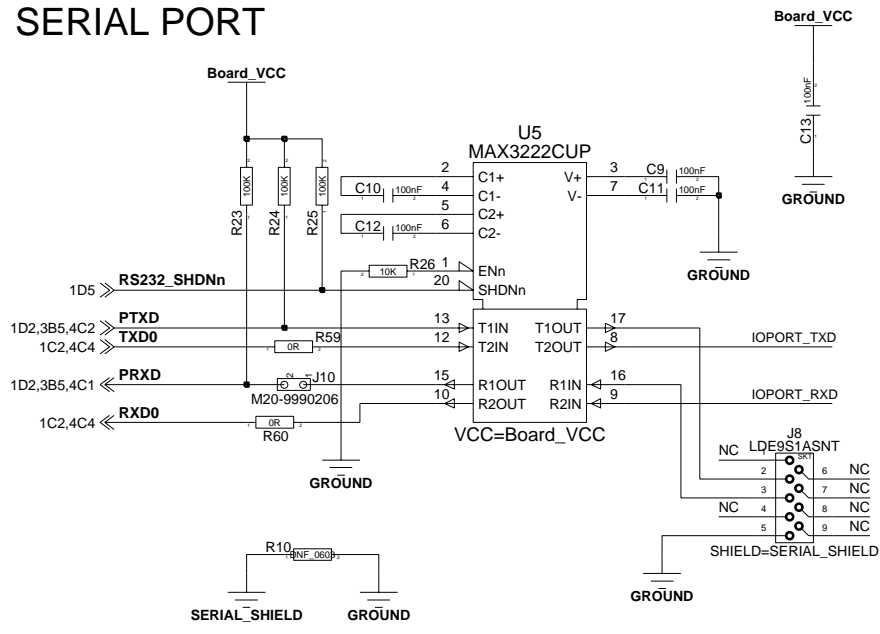
# LEDs



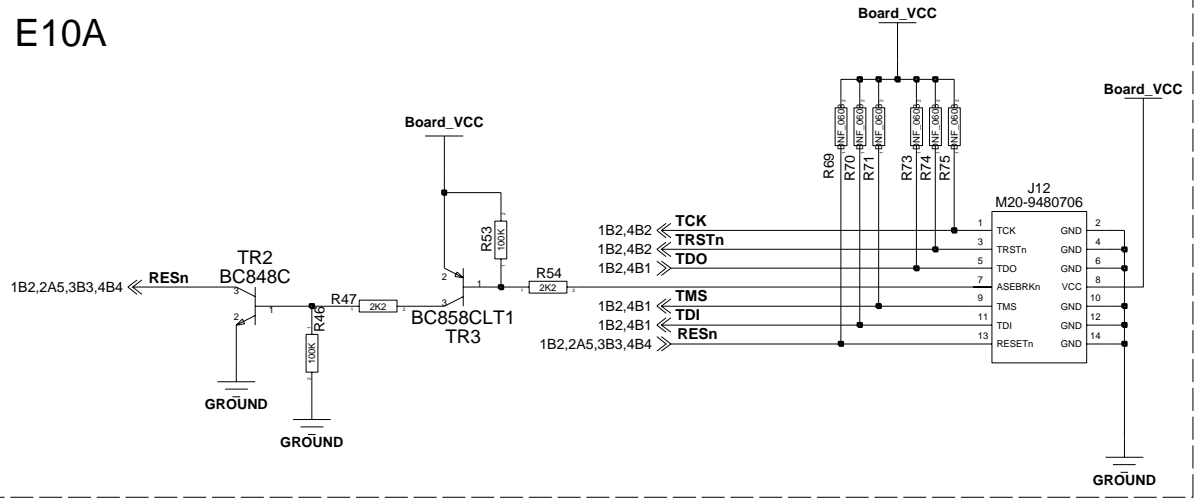
# FLASH PROGRAMMING



# SERIAL PORT

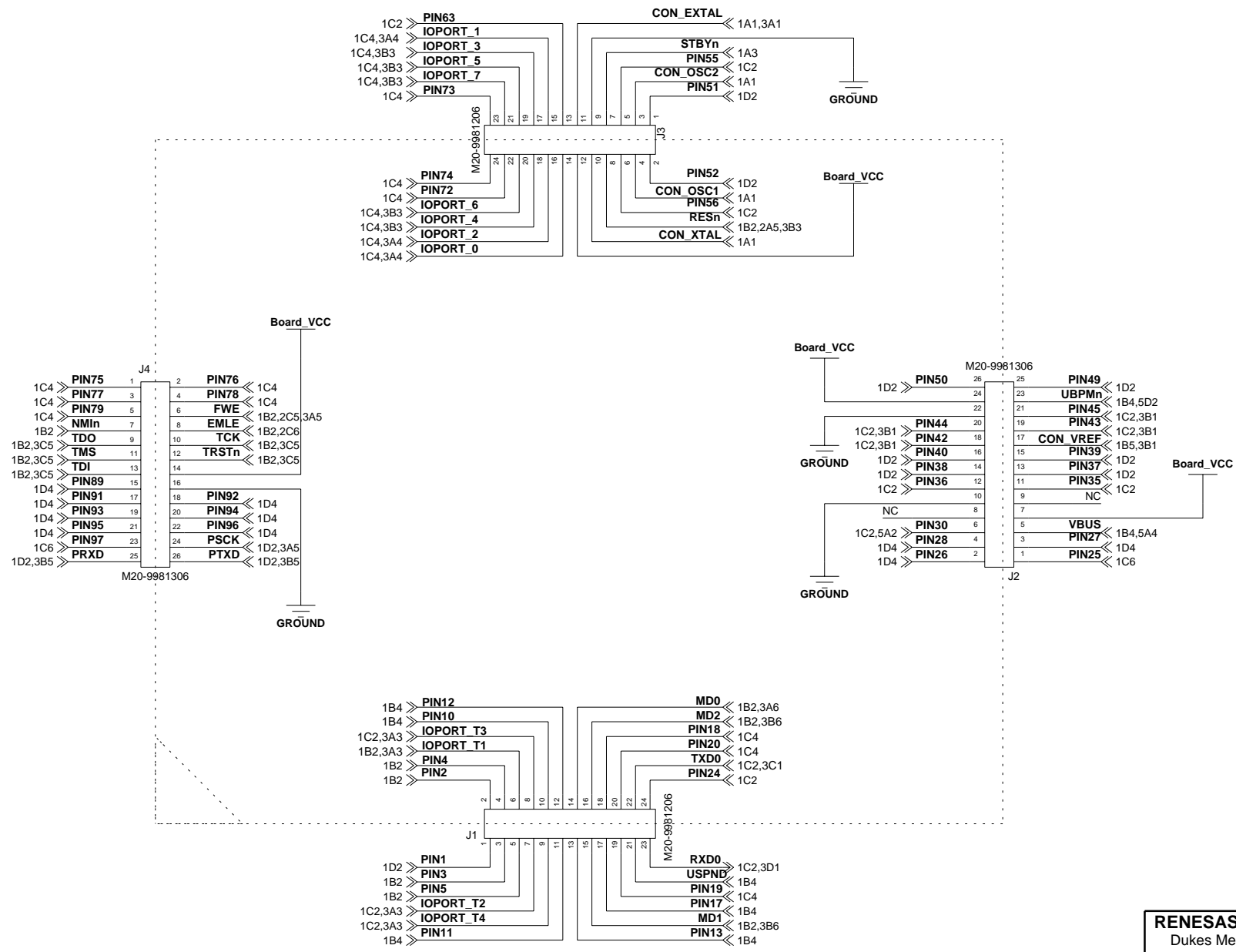


# E10A



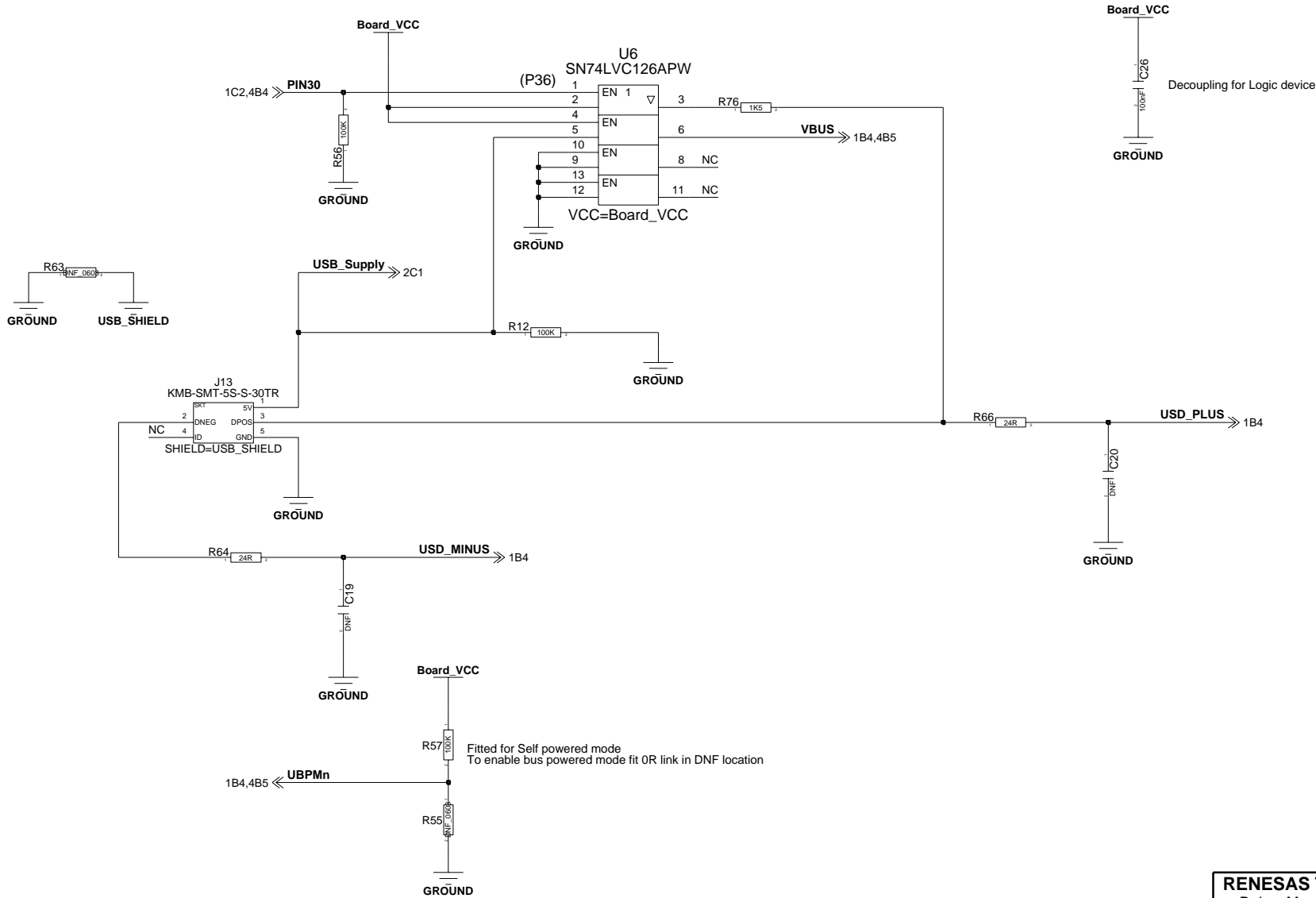
SIZE A4

<b>RENESAS TECHNOLOGY EUROPE LTD</b> Dukes Meadow, Bourne End, Buckinghamshire UNITED KINGDOM				
SCHEMATIC TITLE <b>3DK2218</b>				
SHEET TITLE <b>Generic &amp; Flash Connector LEDs &amp; Serial Port</b>				
DRAWN BY D.Fife	DATE 15-06-04	REV 2	DRAWING NUMBER D005312_04	PAGE 3/5



SIZE A4

<b>RENESAS TECHNOLOGY EUROPE LTD</b>				
Dukes Meadow, Bourne End, Buckinghamshire UNITED KINGDOM				
SCHEMATIC TITLE				
<b>3DK2218</b>				
SHEET TITLE				
<b>Headers</b>				
DRAWN BY	DATE	REV	DRAWING NUMBER	PAGE
D.Fife	15-06-04	2	D005312_04	4/5



SIZE A4

**RENESAS TECHNOLOGY EUROPE LTD**  
 Dukes Meadow, Bourne End, Buckinghamshire  
 UNITED KINGDOM

SCHEMATIC TITLE  
**3DK2218**

SHEET TITLE  
**USB Circuitry**

DRAWN BY D.Fife	DATE 15-06-04	REV 2	DRAWING NUMBER D005312_04	PAGE 5/5
--------------------	------------------	----------	------------------------------	-------------